

Beautifully FlowBar
Invisible
Versatile
Engineered
Effortless



Ceiling Mounted High Throw

What is FlowBar?

Air Diffusion's FlowBar is an architecturally designed high capacity linear slot diffuser. The flexibility of the system can blend into a design or provide contrast with its striking but simple design.

FlowBar is designed to combine a very high air handling capacity with maximum flexibility and is suitable for either ceiling or sidewall applications.

Tried. Tested.

FlowBar has undergone extensive testing and produced a large dataset to ensure we are able to provide you with advice on choosing the correct product for your application/air volume. All FlowBar diffusers are manufactured entirely from heavy wall extruded aluminium, ensuring a straight and true installation.

Wall Mounted. Ceiling Mounted.

Our high throw model is designed for ceiling applications & the jet throw for wall applications.

Straight. Curved.

FlowBar is available to be manufactured straight or curved, allowing the creation of stunning visuals that were never before possible.



“FlowBar has proven that getting conditioned air in and out of a room can be achieved in an aesthetically pleasing way.”

— William Clarke, Technical Manager

Why choose FlowBar?

Continuous slot diffusers allows you the choice of using diffusers to complement your design.

Transform the projects you are working on today to have some of the most beautiful ceilings in the world tomorrow.

Designers use FlowBar to discreetly allow air into the room and blend in with the building's architecture so it looks almost hidden.

FlowBar satisfies both architectural and engineering requirements for designing an air distribution system that will maintain optimum room air conditions whilst being efficient yet inconspicuous.





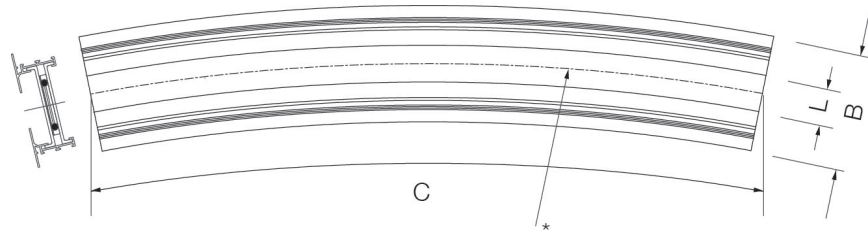
← Exit to Car Park
Level B

Agent Provocateur

AGENT PROVOCATEUR
LINGERIE

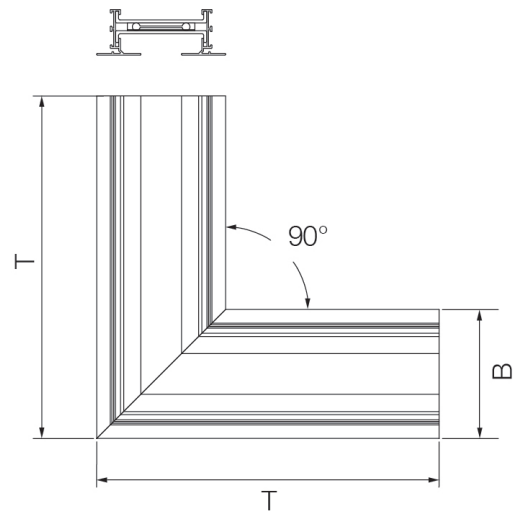
Curved and Corner Sections

Curved Option

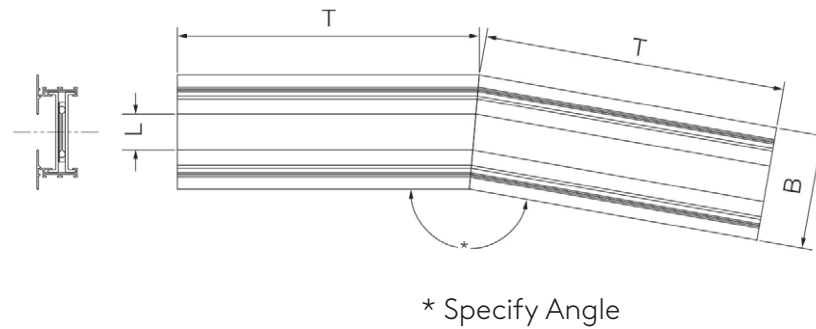


Corner Options

90° Mitred Corner



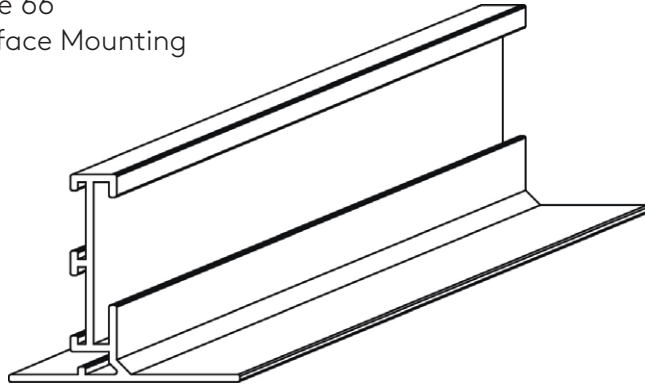
Multidirection Supply



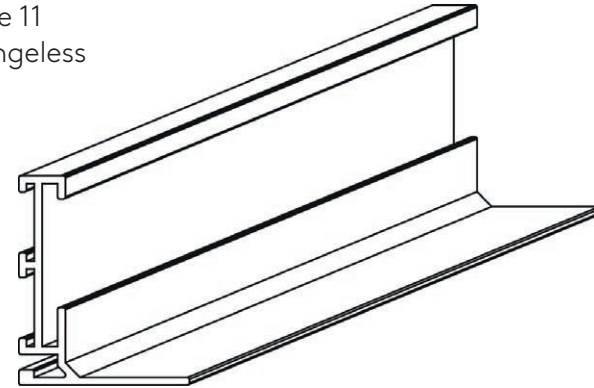
B = Overall Width
T = Overall Length
C = Overall Arc Length
L = Slot Width

Flange Styles

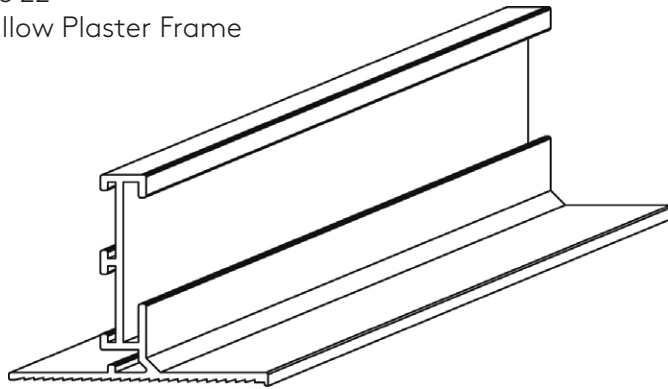
Type 66
Surface Mounting



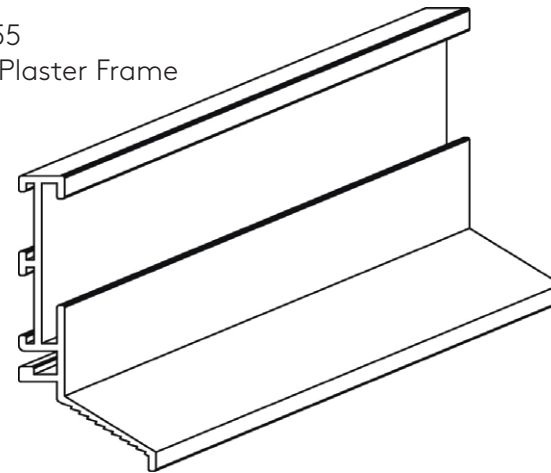
Type 11
Flangeless



Type 22
Shallow Plaster Frame



Type 55
Deep Plaster Frame

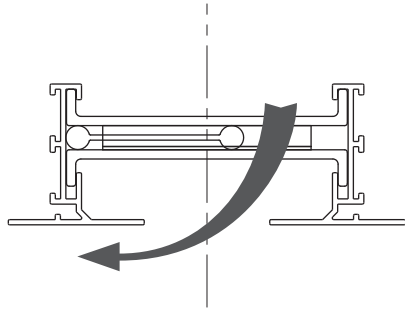




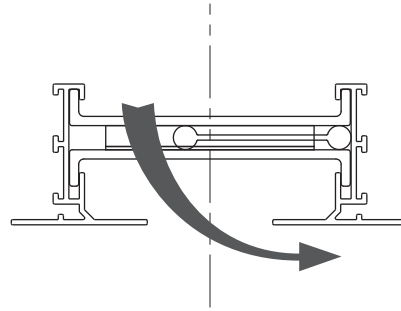


Air Patterns

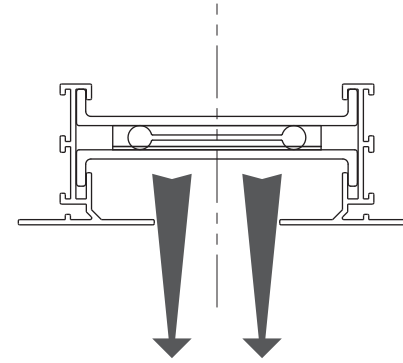
High Throw Ceiling Mounted



Horizontal Left

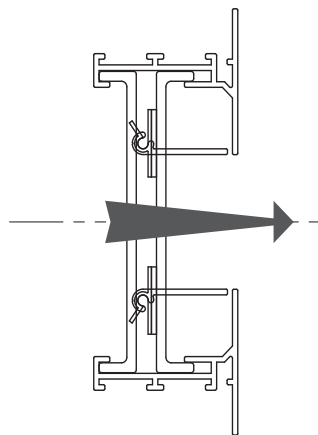


Horizontal Right

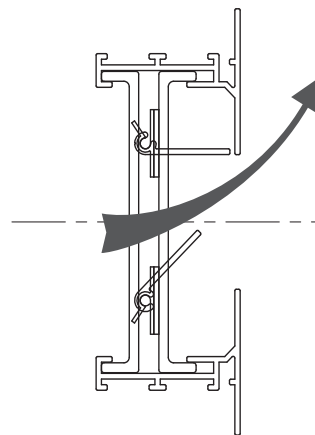


Vertical

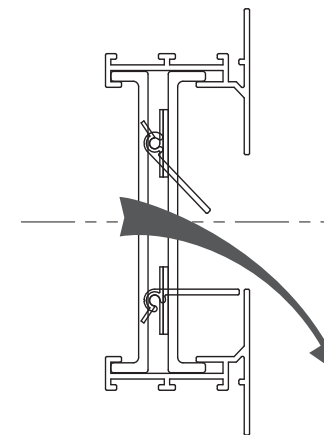
Jet Throw Sidewall Mounted



Horizontal



Upward



Downward

The Whitworth

A £15m refurbishment of Whitworth Art Gallery has completely transformed the 125-year old building into the stunning venue that is now called 'The Whitworth'. The space is renowned for its vast collection of contemporary artwork, including masterpieces by Turner, Lowry, Picasso and Van Gogh.

The extensive renovation work took 16 months to complete, and involved the building size extending by a third, with an entirely new landscape wing revealed during the gallery's grand reopening in February 2015. Air Diffusion supplied and installed the beautifully discrete jet-throw FlowBar along the stunning vaulted ceiling of the galleries; the innovative ventilation system truly enhancing the timeless look of the space.

The use of FlowBar in the refurbishment of period buildings works extremely well due to its discreet aesthetics and high air handling capacity.



Case Study

High Throw (HT) Series Specification

Models: FL-10-HT
25mm Slot

Models: FL-15-HT
38mm Slot

Models: FL-20-HT
51mm Slot

Models: FL-25-HT
63mm Slot

Models: FL-30-HT
76mm Slot

The High Throw series is primarily designed for ceiling applications and allows the air diffuser to become inconspicuous, whilst fully integrating into the ceiling system.

Integral pattern controllers are 600mm in length allowing the airstream to be directed left and right for horizontal and vertical airflow.

Standard slot sizes are 25mm, 38mm, 51mm, 63mm and 76mm with single section lengths available up to 2400mm.

Frame styles 66 (surface mounted), 22 and 55 (plaster frame border) and 11 flangeless are available as standard. Factory engineered plenum boxes are supplied to ensure a trouble free installation and to ensure published performance data is met.

Jet Throw (JT) Series Specification

Models: FL-10-JT
25mm Slot

Models: FL-15-JT
38mm Slot

Models: FL-20-JT
51mm Slot

Models: FL-25-JT
63mm Slot

Models: FL-30-JT
76mm Slot

The Jet Throw series has pattern flow controllers to allow the airstream to be jetted in a horizontal direction (sidewall mounted) whilst fully integrating into the wall system.

Integral pattern controllers are 600mm in length allowing the airstream to be directed vertically left and right (ceiling application) and up and down (sidewall application) at a 45° angle. Jet Throw pattern controllers allow extended throws in typical high bay applications for heated and/or cooled air.

Jet Throw pattern controllers are useful along perimeter walls where heated air can be directed downward.

Standard slot sizes are 25mm, 38mm, 51mm, 63mm and 76mm with single section lengths available up to 2400mm.

Frame styles 66 (surface mounted), 22 and 55 (plaster frames) and 11 (flangeless) are available as standard. Factory engineered plenum boxes are supplied to ensure a trouble free installation and to ensure published performance data is met.

Visit air-diffusion.co.uk/FlowBar for performance information





Case Study

Eurostar Premier Lounge

The opening of Eurostar's new Business Premier Lounge, at its Gare du Nord station perfectly demonstrates why choosing to travel via train over plane is becoming increasingly popular between the French and British capitals. The redevelopment was an essential step for Eurostar; with up to 19 daily services from London St. Pancras International to Paris Gare du Nord, business class customers are demanding more from their travelling experience.

Situated on the top floor of the original 19th century building, the space has been completely re-imagined from its former use as office space into a stunning lounge area – its extravagant design makes it difficult to imagine the place ever being used for a different purpose. The redesign comes from the creative vision of UK-based architects, Softroom, who wanted the space to truly capture the essence of a luxurious Parisian apartment. The space includes oversized couches and a more intimate seating area, alongside an elegant, circular bar where guests can choose from a selection of 6 signature cocktails, exclusively designed for Eurostar.

The space has an understated sophistication with its marble fireplaces and velvet furniture which is finished off by its double-height ceilings, defined by Air Diffusion's subtle, yet expressive, FlowBar high capacity slot diffusers.

It seems that Eurostar's aim of welcoming 20% more travellers by the end of 2017 could easily be achieved. The fresh new look of the Business Premier lounge at Gare du Nord station is already encouraging more Business Premier Travellers to use the lounge and relax and unwind before boarding their trains.

We make every breath count.

Swegon Air Management,
Stourbridge Road, Bridgnorth,
Shropshire, WV15 5BB, UK

Tel: +44 (0)1746 761921

Email: sales@air-diffusion.co.uk

Website: air-diffusion.co.uk

The statements made in this brochure or by our representatives in consequence of any enquiries arising out of this document are given for information purposes only. They are not intended to have any legal effect and the company is not to be regarded as bound thereby. The company will only accept obligations, which are expressly negotiated for and agreed and incorporated into a written agreement made with its customers.

Due to a policy of continuous product development the specification and details contained herein are subject to alteration without prior notice.